

Manual (EN)

AV12-2, AV16-2, AV20-2
AV16-2K
Yanmar

Serial Nr. 10'000-

Preface

Congratulations on your purchase of an AMMANN vibration roller. This quality of this compaction device is characterized by simple operation and maintenance and is the product of many years of AMMANN experience in the field of road roller engineering. In order to avoid faults due to improper operation and maintenance we request that you read this operating manual with great care and **keep it for future reference.**

With kind regards

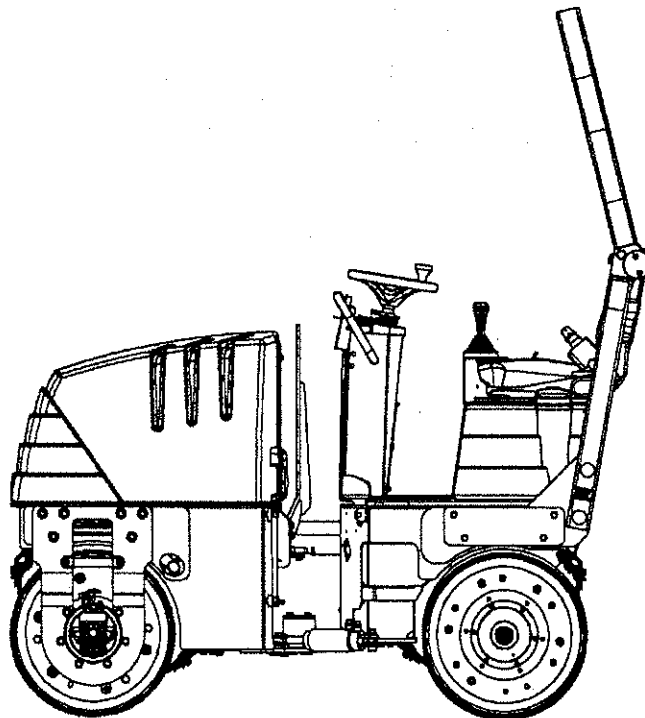
AMMANN

Ammann Schweiz AG - Verdichtung
Eisenbahnstrasse 25
CH-4901 Langenthal

www.ammann-group.ch

☎ 0041 (0)62 916 61 61

FAX 0041 (0)62 916 68 04



300054610005

Index

Preface	1
Index	2
Structure of the Manual	5
Structure of the manual	6
Identification	9
Identification	10
Identification plate	11
Scope of delivery	12
Transport / commissioning / storage	13
Transport	14
Joint protection	16
Commissioning	17
Long-term storage	18
Safety	19
General work safety	20
Roller operation	21
Roll-over bar (ROPS)	23
Safety labels	24
Noise levels	26
Safety (maintenance)	27
Notes	30
Overview	31
Product description	32
Component overview	34
Dashboard (switches)	36
Dashboard (control lights)	37
Operation check	38
Notes	40
Operation	41
Driver's seat	42
Starting the engine, driving and braking	44
Turning off the engine	49
Emergency stop and emergency stop reset	50
Sprinkling	51
Simple / double vibration	52
Options	53
Revolving warning light	54
Reverse alarm	56
Battery cut-off switch	57
Lights	58
Interval sprinkler	59
Loxam	60

Index

Maintenance	61
Important notes	62
Roller maintenance	63
Yanmar engine maintenance	64
Opening the hood	66
Inspections overview	67
Inspections (engine oil level, coolant)	68
Inspections (fuel tank, hydraulic oil tank)	69
Inspections (sprinkler, scraper)	70
Removing the rear water tank	73
Changing hydraulic oil and filter	74
Lubricant table	76
Consumables, tightening toques	77
Winterization	78
Water tank, sprinkler, frost hazard	79
Draining diesel	81
Draining and topping up engine oil	82
Practical tips	83
Replacing the front bulbs	84
Replacing the rear bulbs	86
Replacing the fuses	87
Battery	89
Notes	90
Hydraulic layout	91
Hydraulic diagram AV12-AV20	92
AV12-AV20 hydraulics diagram legend	93
Hydraulic diagram AV16K	94
AV16K hydraulics diagram legend	95
Notes	96
Wiring diagram	97
Wiring diagram (multifunction display)	98
Wiring diagram (engine start/stop)	99
Wiring diagram (emergency stop / oil cooler, diesel pump)	100
Wiring diagram (sprinkler)	101
Wiring diagram (vibration)	102
Wiring diagram (horn, indicators)	103
Wiring diagram (lights)	104
Wiring diagram (options)	105
Wiring diagram (Loxam)	106
Wiring diagram key	107
Notes	110
Technical specifications	111
Dimensions	112
Technical specifications	113

STRUCTURE OF THE MANUAL

Structure of the manual

The following explanations are designed to familiarize you with the roller and to provide support for handling and maintenance. It is therefore essential that you read the manual carefully before putting the roller into operation.

This manual consists of the following sections:

- Table of contents
- Structure of the manual
- Identification
- Transport / commissioning / storage
- Overview
- Safety
- Operation
- Options
- Maintenance
- Tips
- Error messages
- Hydraulic layout
- Wiring diagram
- Technical specifications

Adherence to the "Safety" section increases reliability in operation and the lifetime of the machinery. It reduces repair costs and down time.

Spare parts must meet AMMANN technical specifications. These requirements are always fulfilled if original AMMANN spare parts are used.



Storage and completeness of the manual

- This manual is an integral part of the roller and must be kept available for the user of the roller to consult.
- At no time may any sections of this manual be removed. A missing manual or missing pages – particularly the "Safety Instructions" section – must be replaced immediately if they get lost.
- The manual must be retained for the lifetime of the roller and must be passed on to every subsequent owner or user of the machine.

Revision service

- This manual is not subject to the revision service of AMMANN. Changes may be made to this documentation without notification.

Structure of the manual

Important points are indicated as follows:

 **WARNING**

Indicates an immediate impending danger. Failure to avert such dangers will lead to death or extremely serious injuries.

 **ATTENTION**

Indicates a potentially harmful situation. Failure to avert this may damage the product or something in its vicinity.

 **NOTE**

Indicates application tips and other particularly useful information. This is not a sign of a dangerous or harmful situation.

Bold type

- Titles and important passages are emphasized with bold type.

Structure of the manual

Labeling of the roller in the descriptions.

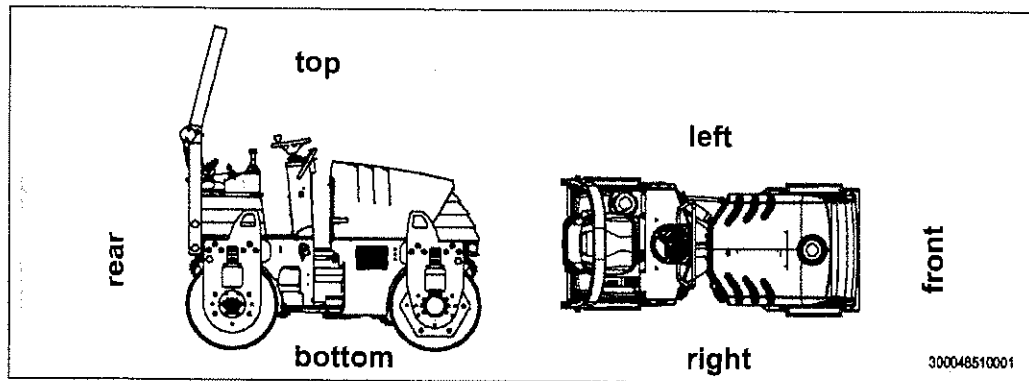
In order to facilitate orientation, we will tell you where to find the appropriate parts in the various sections.

Example, unlocking the hood:

On the **right side** of the roller there is a handle with a built-in lock.

These descriptions are based on the following principle:
viewing the roller from the back looking forward.

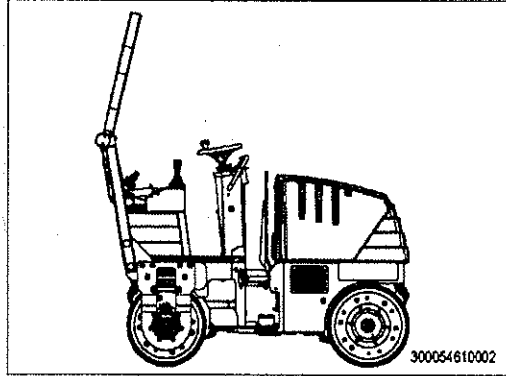
The descriptions are therefore labeled as follows:



IDENTIFICATION

Identification

This manual applies to the following machines.
The data given below serve to identify the models. Please refer to the
"Technical Specifications" section for details on the various machines.



Roller with roller drum

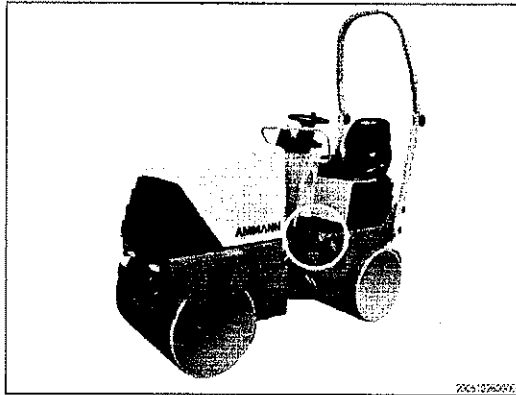
Model	Width	Weight
AV12-2	860	1450
AV16-2	940	1550
AV20-2	1040	1650

Roller with pneumatic wheel (combined roller)

Model	Width	Weight
AV16-2K		

The models only differ in terms of weight and the width of the roller drum. The combined roller has a pneumatic wheel axis instead of the smooth back drum roller.

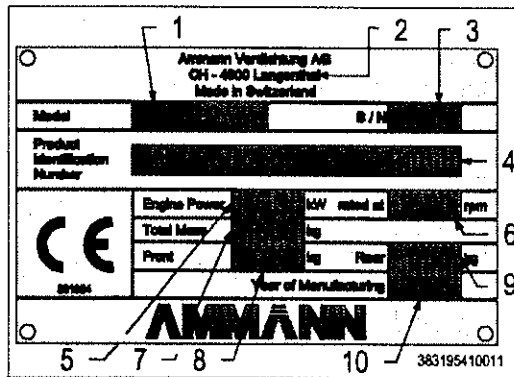
Identification plate



Identification plate

An identification plate is affixed to the roller for identification.

The identification plate is located on the left of the machine at the back of the roller.



The identification plate contains the following information:

- 1 Roller model
- 2 Name and address of the manufacturer
- 3 Serial number
- 4 Product number
- 5 Fuel engine output at
- 6 Number of revolutions per minute
- 7 CECE total weight
- 8 CECE front axis load
- 9 CECE rear axis load
- 10 Date of manufacture



NOTE

When ordering spare parts you must indicate the serial number (S/N) of the roller.

Scope of delivery

Scope of delivery

Please check that the delivery is complete and inform us within 14 days after purchase if the delivery is not complete. Please always indicate the serial number.

- Vibration roller
- Roller manual
- Spare parts catalog for roller
- Yanmar engine manual in English
- Yanmar engine manufacturer's declaration

Documents

The roller is delivered with the following documents.
You can reorder the manuals from the spare parts service.

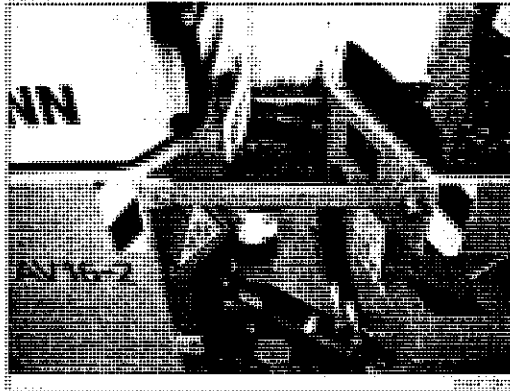
Model	Manual	Spare parts list
Part number	1-521962	1-ET521894
AV12-2	●	●
AV16-2	●	●
AV16-2K	●	●
AV20-2	●	●

TRANSPORT /

COMMISSIONING /

STORAGE

Transport

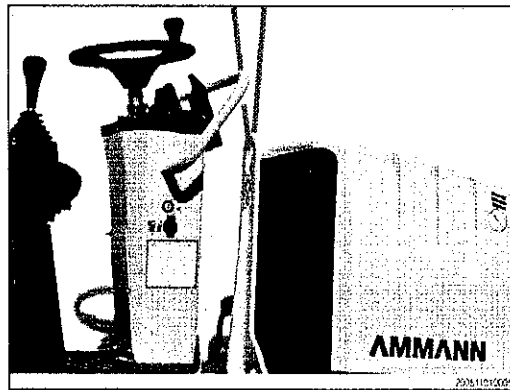


Transport:

 **ATTENTION**

Articulated joint lock

Before lifting the machine you must install the articulated joint lock (joint protection).



Lifting with the 1-point lifting eyes

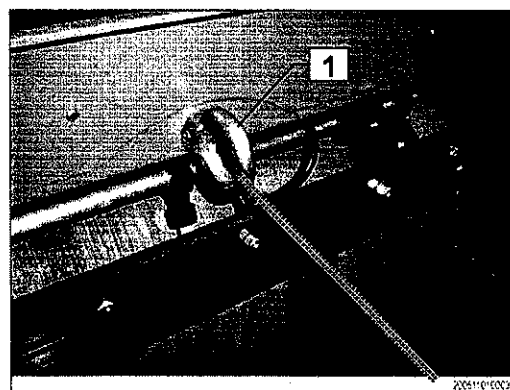
 **WARNING**

- No one must stand below suspended loads!
- Use only anti-slip, stable ramps when loading!
- Secure the machine on transport vehicles to prevent it from rolling off, slipping to the side and tipping over!



NOTE

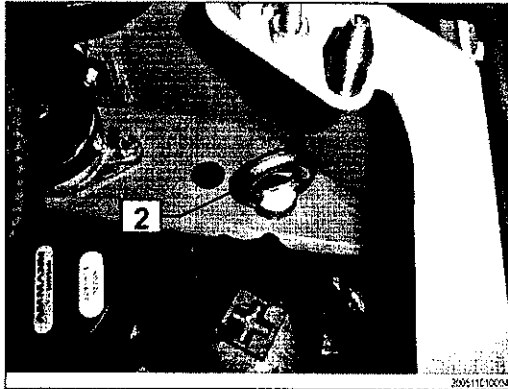
The lifting device (steel cables, etc.) must be dimensioned according to relevant regulations.



Securing the roller

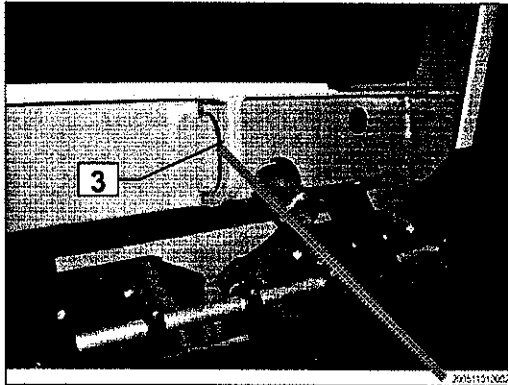
Secure the machine by fastening this to the front towing eye (1).

Transport



The towing eye (2) can be found on the left, below the hood. Screw this out and attach it to the front of the machine.

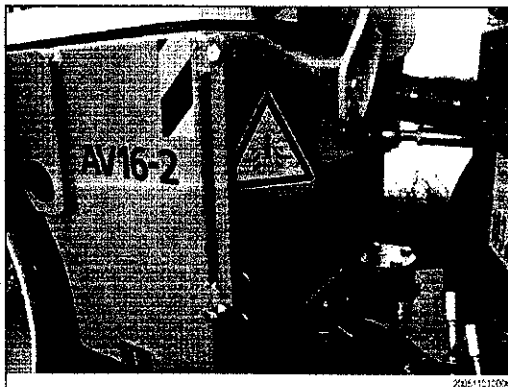
Additionally secure the machine by fastening this to the rear towing eye (3).



Now secure the roller from slipping sideways.

Secure the machine from rolling off forward or backward.

You can install additional protection on the recessed steps.



△ ATTENTION

A blocked steering system can lead to accidents.

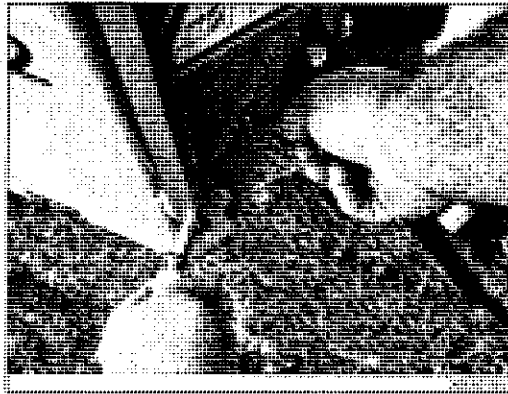
Open the joint protection before starting the machine.

Data relevant for transport:

Model	Length *	Width	Height *	Weight
AV12-2	2,245	860	1,650	1,450
AV16-2	2,245	940	1,650	1,550
AV16-2K	2,245	940	1,650	1,450
AV20-2	2,245	1,040	1,650	1,650

* With ROPS folded down

Joint protection



Blocking the joint protection

Release the bottom of the joint protection by first pulling out the compression spring and then the lock bolt.

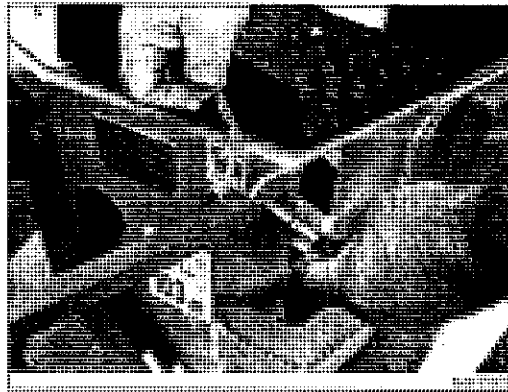


WARNING

Risk of injury

Carefully turn the roller steering wheel until the joint protection comes in line with the opposite loop.

You must start the machine to be able to move the steering wheel. Switch off the engine once the machine is aligned.

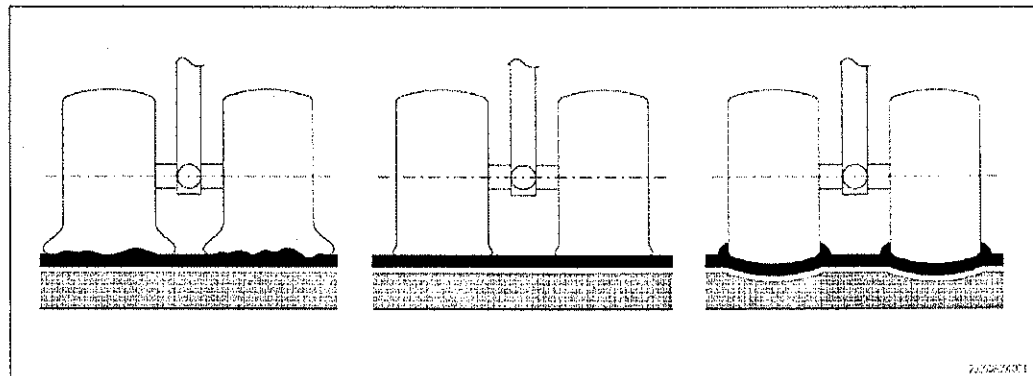


Now snap the joint protection into place and secure it with the lock bolt and the bolt with the compression spring.

Commissioning

The machine as delivered is essentially ready for operation. Observe the following before commissioning:

- Perform ten-operating-hours maintenance. This procedure is described in the “Machine Maintenance” section.
- If using a combined roller, you must check tire pressure and adjust as required. Pressure ex works is 2.5 bar.
- Tire pressure must be adjusted to suit the compaction condition of the ground:



Tire pressure too low

Tire pressure OK

Tire pressure too high

- Make sure that the joint protection is open.
- Have you familiarized yourself with the manual?
- The “Starting the engine, driving and braking” section describes how to drive the roller.
- Do not forget to read the “Switching off the engine” section.

Long-term storage

Storage:

- Put the drive lever into neutral position.
- Secure the machine from unauthorized start-up and unintentional rolling away.

Long-term storage:

- Diesel engine:** Observe the information in the "Long-term storage" section in the diesel engine manual.
- Battery cut-off switch:** If the machine is not in operation for more than two days, the battery must be turned off at the cut-off switch. This reduces the risk of battery discharge. If no battery cut-off switch is fitted to your machine, remove the negative battery cable from the battery for a standstill period of more than two weeks.
- Battery:** Remove the battery, clean outside and recharge once a month while in storage.
- Air filter unit, exhaust pipe:** Cover the air filter unit or its intake opening and the exhaust pipe with adhesive tape. This prevents moisture from getting into the engine.
- Hydraulic oil tank:** Drain the hydraulic oil completely. Fill up the hydraulic oil tank with fresh oil when putting the machine back into operation.
- Steering cylinder:** Lubricate the bearings of the steering knuckle and the front bearing of the steering cylinder with grease.

Lubricate the piston rod of the steering cylinder with grease guard.
- Tires:** Only combined rollers have tires. Relieve the pressure in tires if the machine is not being used for a prolonged period. Jack up the pneumatic wheel axis so as to prevent flat spotting damage.

Winter:

Observe the page concerning "Winterization" in the "Maintenance" section.

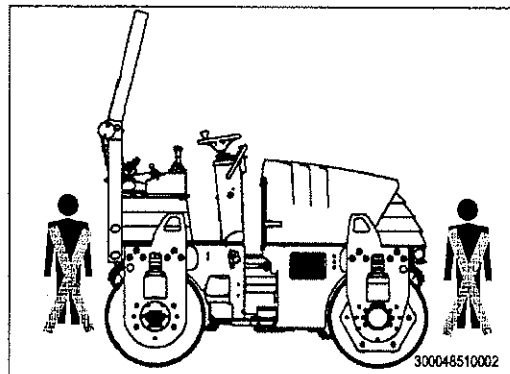
AMMANN

SAFETY

General work safety

- Always observe the manufacturer's manual and the safety rules it contains.
- Rollers may only be operated with all safety devices.
- Check the steering and brakes when you start work. If defects are apparent roller operation is not permitted.
- Before starting every shift, check the effectiveness of the operation and safety devices and that the protection devices are in place.
- If you identify any defects on the safety system or defects that impair safe operation of the equipment, inform your supervisor immediately. The roller may no longer be taken into operation.
- If you identify any defects which endanger safe operation, cease operation immediately.
- Only perform work on the roller if it is static and secured from rolling away.
- Switch off the engine when filling the fuel tank. Do not fill up fuel in closed rooms. No open flames.
- Do not drive on slopes that are steeper than the maximum climbing capacity of the equipment. Always drive the roller carefully perpendicular to the slope dip.
- Keep the driver's cabin and steps free of trips, grease, dirt, ice, etc.
- The driving and working field of view must not be obstructed in any way. Adjust all the necessary mirrors correctly and keep them clean.
- Switch off the engine before leaving the roller. Secure the roller from unauthorized start-up and rolling away.
- Take suitable measure to secure lowered rollers that pose an obstruction.

Roller operation

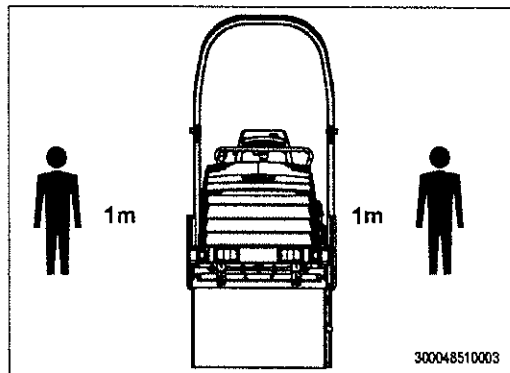


WARNING

Danger of roll-over!

Only start the roller from the driver's cabin.

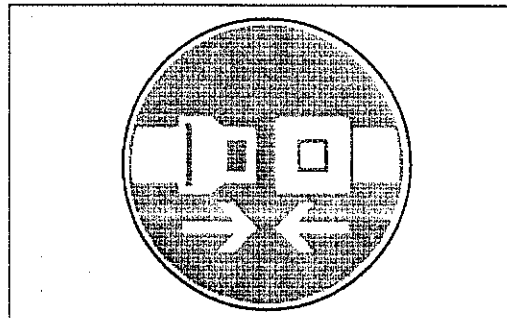
Stay away from the front and rear of the roller during operation.



WARNING

Observe side safety clearances!

Personnel required for operation at the sides of the equipment must remain at a safe distance of at least 1 m.



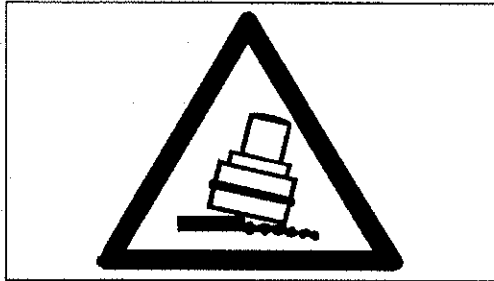
WARNING

Wear a safety belt!

Keep the following hazards in mind:

- Plane surfaces are not always uniformly load-bearing.
- Cavities or large stones may be located below the surface.
- Loamy/clayey soils become slippery when wet.
- Vibration can increase the hazard of lateral slipping.
- High steering angles at slope edges increase the hazard of overturning.
- Articulated machines are in particular danger from high steering angles on slopes.

Roller operation



 **WARNING**

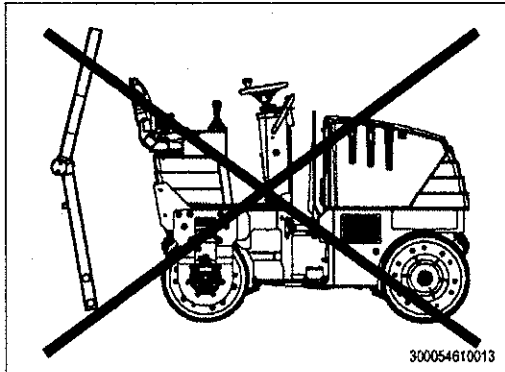
Danger of tipping over!

The edges of filled areas may give way!

Keep your distance to embankments and edges! Do not drive over steps on roadways!

On embankments, only operate or park rollers in such a way that they cannot tip over.

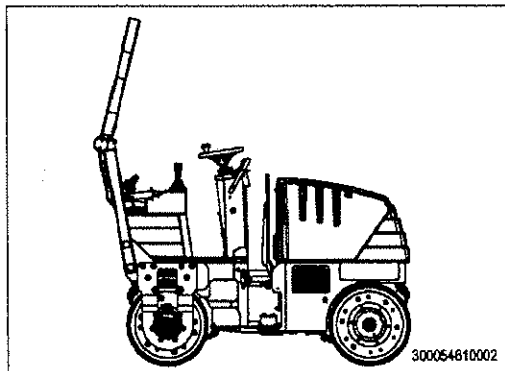
Roll-over bar (ROPS)



Roll-over bar (ROPS)

Check that:

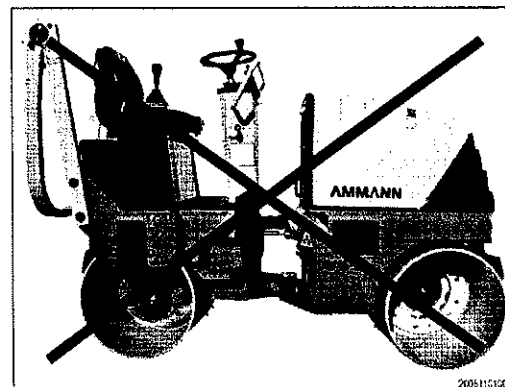
- The roller chassis is not bent or cracked in the area of the ROPS mounting.
- The ROPS has no cracks or fractures.
- All screw connections are tight (note tightening torque).
- Screw threads are not damaged.



 **WARNING**

Danger of accidents!

The ROPS may not be modified in any way without the manufacturer's permission!

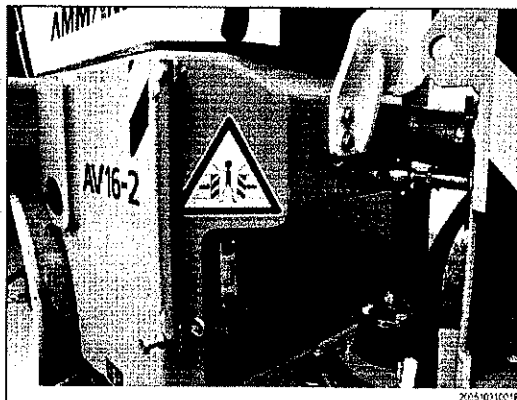


 **WARNING**

Danger of accidents!

Never operate the machine with the ROPS folded down!

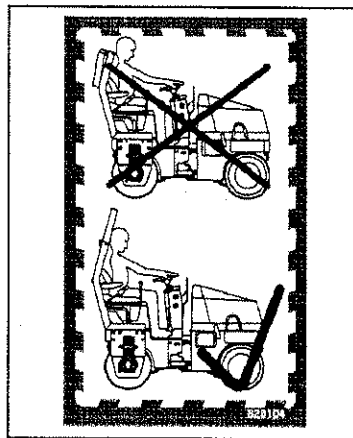
Safety labels



Safety labels on the machine

- Keep the safety stickers and signs complete and legible.
- Observe and adhere to the rules.
- Replace any damaged, illegible stickers and signs immediately.
- You can order a new set of stickers from Ammann.

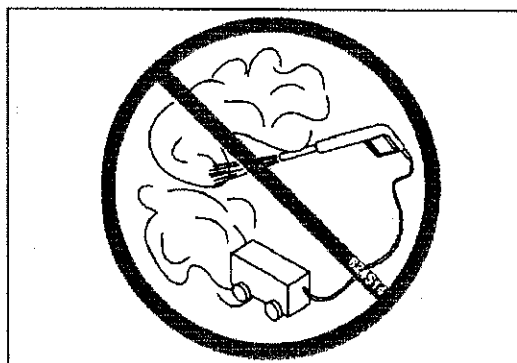
From the moment the signs are no longer recognizable and understandable at first glance, the machine must be shut down until new signs are installed.



WARNING

Danger of accidents!

If the roller is equipped with a foldable ROPS, the equipment must never be operated with the ROPS folded down!

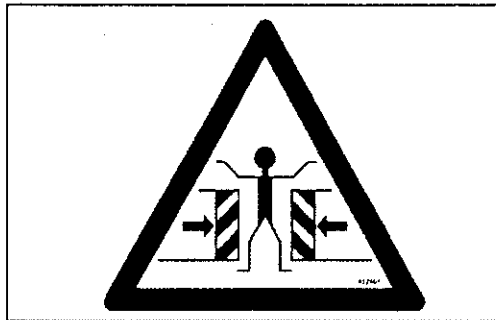


ATTENTION

Electricity!

Never spray the water jet into electrical or electronic components!

Safety labels



 **ATTENTION**

Danger of crushing!

Only stand in this area when necessary and only with extreme caution!



 **ATTENTION**

Danger of accidents!

You are in the danger zone

Noise levels



 **WARNING**

Wear ear protectors!

Depending on the use of equipment it is possible that the allowed noise level of 85 dB (A) will be exceeded. In such cases ear protectors must be worn in accordance with local regulations.

Noise levels

The following noise level measurements were carried out by an accredited testing and monitoring body in accordance with machine directive 2000/14/EEC of the European parliament and council.

Inspecting and monitoring organization: *TÜV Österreich* (Austrian technical inspectorate) Testing body No. 0408

Recorded sound power level:

AV1 = 99 dB(A)

AV2 = 102 dB(A)

Guaranteed sound power level:

AV1 = 103 dB(A)

AV2 = 106 dB(A)



NOTE

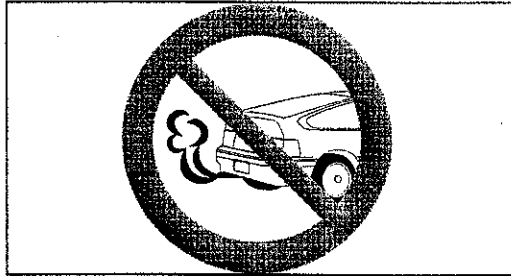
The obligation to wear ear protection is standardized nationally.

In Switzerland and Germany this applies from a measured level of 85 dB A (sound pressure).

Safety (maintenance)

Maintenance may only be carried out by trained specialized personnel!

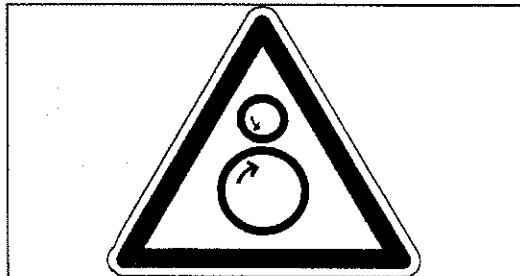
1. Only perform maintenance and repair work on the roller if it is static and secured from rolling away.
2. Relieve pressure before working on the hydraulic pipes.
3. Disconnect the battery, cover it with insulating cover or remove it before performing work on the machine's electrical system. This does not apply to work requiring electric current. In the event of injuries caused by acid, rinse immediately with clean water and consult a doctor.
4. Replace all protection devices properly after performing maintenance and repair work.



! WARNING

Gas poisoning!

Do not leave the engine running in closed areas.
If it is absolutely necessary to operate the roller in a closed area, the exhaust fumes must be extracted directly from the exhaust pipe.



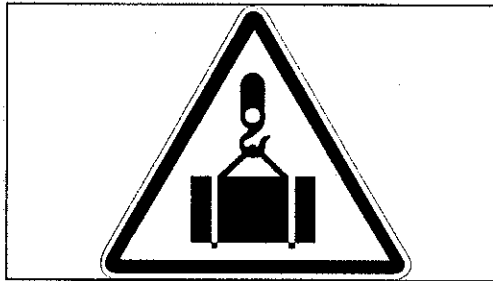
! WARNING

Hazard of injury to fingers and hands!

Only open the engine hood when the engine is switched off.

If it is absolutely necessary to work on moving parts (engine or roller) for troubleshooting purposes, never wear necklaces, bracelets, scarves, ties or other loose clothing. If any of these get caught in moving parts there is a danger of serious injury!

Safety (maintenance)

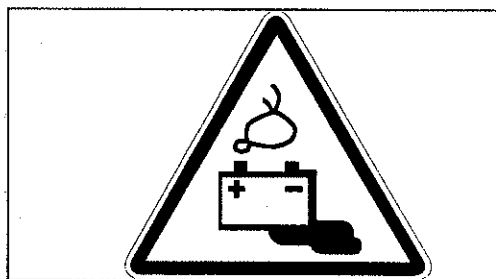


 **WARNING**

Danger to life!

Always ensure an accident-proof support when working on a raised machine.

- Never work below equipment which is only supported by a crane or other electrical / hydraulic lifting device.
- Always ensure that equipment is mechanically secured before moving below it.
- Only use stable loading ramps suitable for the weight of the machine for loading.
- On transport vehicles, secure the roller from rolling off, slipping to the side and tipping over.



 **WARNING**

Battery fumes are explosive!

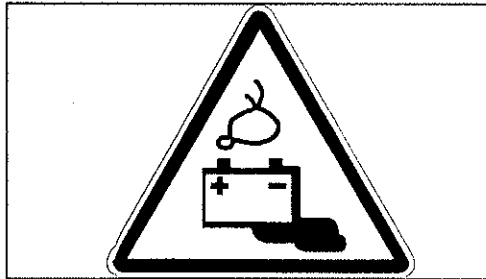
Protect the battery from fire, flames and sparks.

- Use a lamp to check the acid level (not a lighter, etc.).
- Never check the battery charge level with a metal object. Use a voltmeter or electrolyte meter.
- When disconnecting the battery always disconnect the negative terminal first (-). Connect the positive terminal (+) first when reconnecting.

Service-free battery

Always replace the battery with a service-free battery. If you are using a battery that requires maintenance, always observe the safety instructions in the battery manual.

Safety (maintenance)



 **WARNING**

Toxic sulfuric acid!

The sulfuric acid in the battery is poisonous and aggressive. It can burn holes in clothing. If it gets into eyes it can lead to blindness.

- Topping-up / re-charging safety measures:
- Only fill or charge the battery in well-aired rooms.
- Wear eye protection and rubber gloves.
- Avoid inhaling the acid fumes.
- Do not spill acid when filling or topping up.

Perform “start-up with third-party battery” as per instructions.



 **WARNING**

Warning, danger of scalding from hot water / steam!

NEVER remove the expansion cap or radiator cap while the engine is running!

First loosen the cap to the first stop to release the pressure. Only then remove the cap.

Notes

OVERVIEW

Product description

1t vibration rollers

AV1 vibration rollers are universal rollers designed for use on small and medium-sized building sites. AV1 rollers are effective and efficient compacting machines when it comes to installing blacktops and compacting unbound layers.

Requirements for roller operators

Only trained, suitable and reliable specialists with a valid national driving license for this category of vehicle may operate the rollers.

Limits of application in climate conditions

	Operation	Storage
Temperature limits	-10 °C to +48 °C	-10 °C to +48 °C
Humidity	All-year operation / outdoor storage	
Terrain	Level	Level
Slope up	30 % with / 40 % without vibration	40%
Slope down	30 % with / 40 % without vibration	40%

Immobilization brake

The vibration roller is equipped with an automatic parking brake.

The brakes of the driving engines are activated when supply pressure drops below 12 bar or when you press the EMERGENCY STOP button.

When you press the EMERGENCY STOP button a valve reduces supply pressure and the brakes take immediate effect.

The parking brake closes automatically when the diesel engine is switched off.



ATTENTION

1. In order to save the brakes from unnecessary wear an emergency stop during travel may only be performed in emergency situations.
2. Only use the parking brake in special cases, e.g. when you stop on a slope. If the machine rolls move the drive lever slightly in the opposite direction, so that the vehicle is kept still hydrostatically.

Intended use

Intended use

Normal operation:

The AV1t roller may only be used for driving and compacting unbound layers (gravel, soil) and blacktops (asphalt).

Special operating modes:

- Transport of the machine from A to B (crane & low loader)
- Cleaning the machine
- Maintenance of system components according to maintenance plan or in the event of defects
- Remedying machine faults by specialists based on error messages; towing the machine
- Proper disposal by the operator in accordance with national regulations

Inappropriate use

Inappropriate use includes any use not listed under intended use. Note the following in particular:

- The machine is not a playground.
- The machine must not be used for traction.
- The machine is not a passenger transporter.

Disclaimer

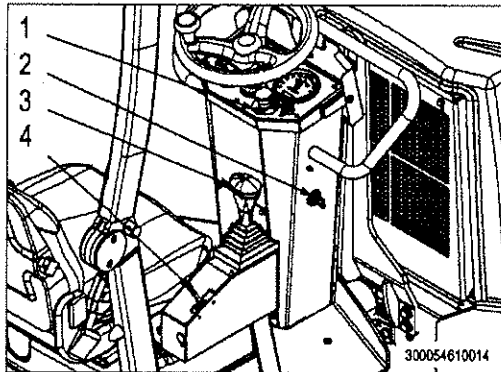
AMMANN accepts no liability for maintenance of reliable functioning of the roller if it is not used appropriately.

Unauthorized conversions and changes to the machine are prohibited for reasons of safety.

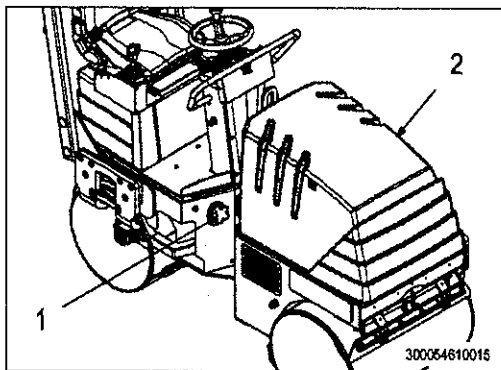
Spare parts used when replacing defective parts or wearing parts must conform to the technical specifications stipulated by AMMANN. These requirements are always fulfilled if original AMMANN spare parts are used.

The work instructions in the various sections must be observed. The safety instructions must be observed at all events. Failure to observe work instructions, their order, safety instructions or safety labeling requirements causes the liability claim to expire.

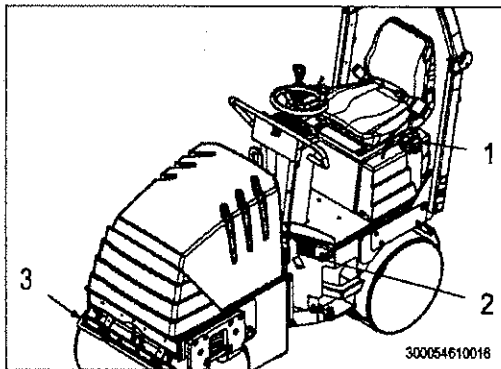
Component overview



- 1 Emergency stop switch
- 2 Ignition switch
- 3 Drive lever
- 4 Speed adjusting lever

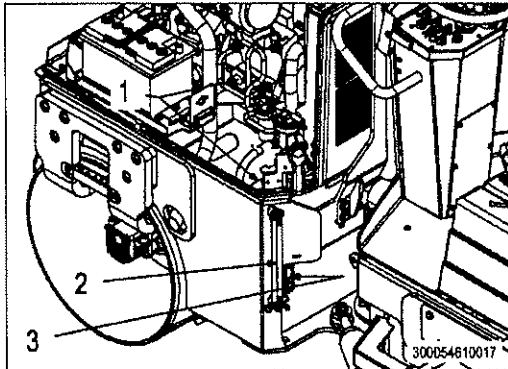


- 1 Tank cap (diesel)
- 2 Document holder, under the hood

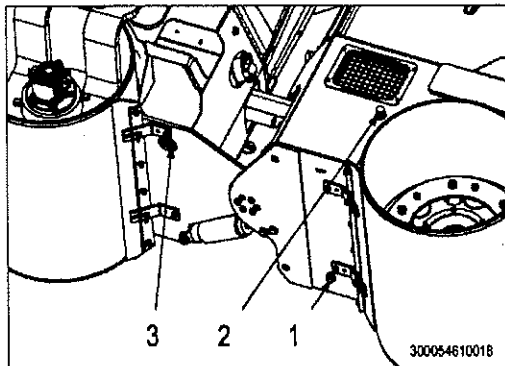


- 1 Cap (rear water tank)
- 2 Identification plate
- 3 Front sprinkler, scraper

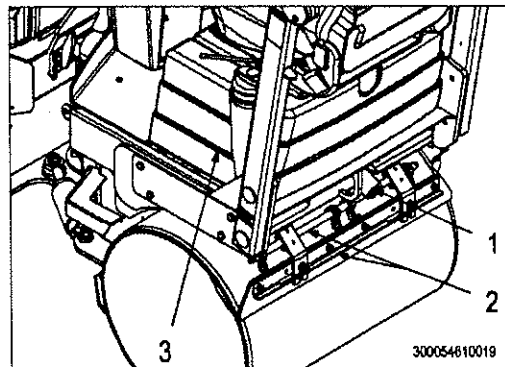
Component overview



- 1 Engine oil and hydraulic oil filters
- 2 Articulated joint protection
- 3 Hydraulic tank oil level indicator (optical)

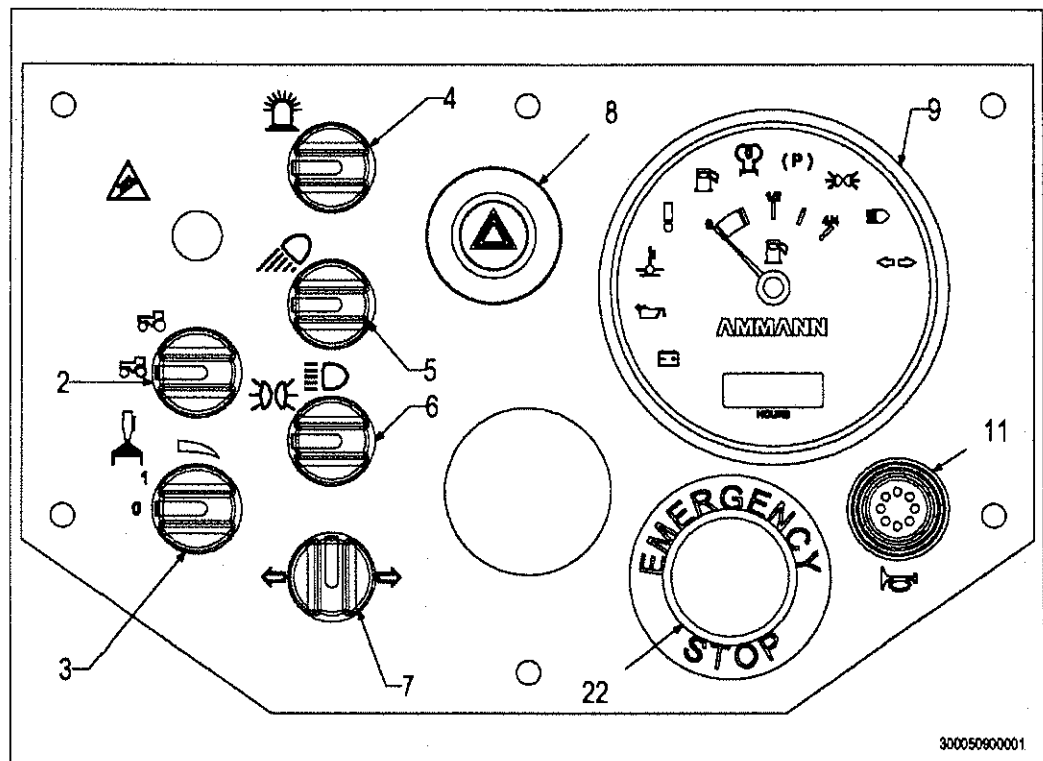


- 1 Hydraulic oil drain
- 2 Engine oil drain
- 3 Diesel tank drain

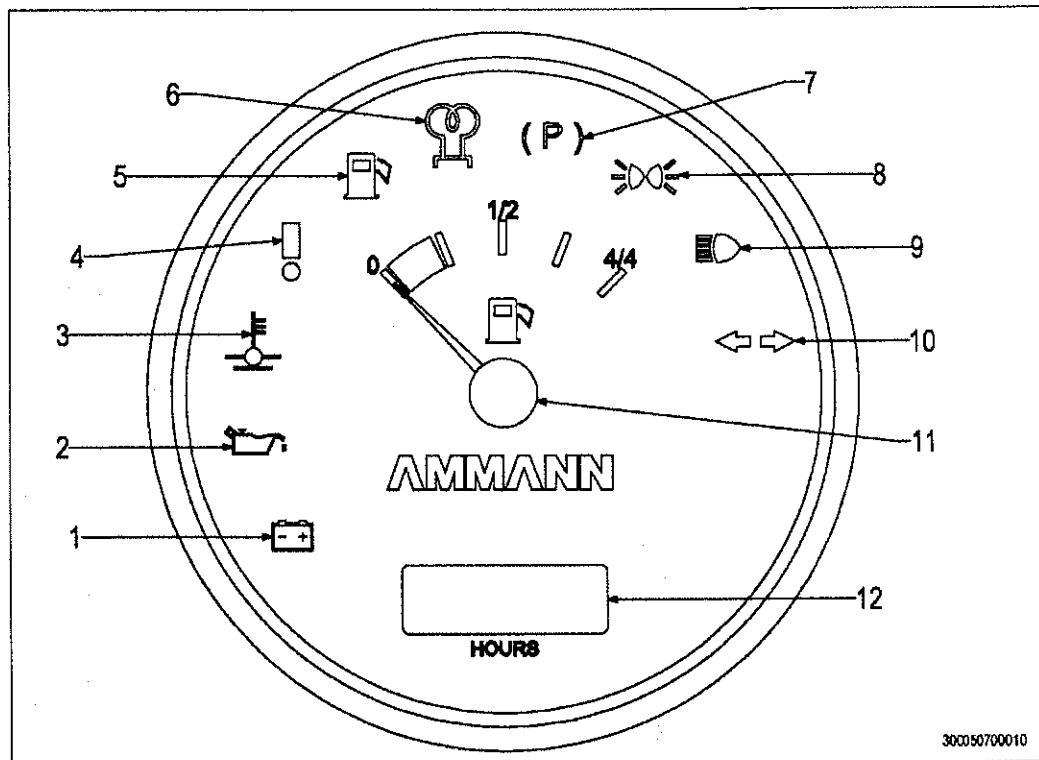


- 1 Water filter
- 2 Rear sprinkler, scraper
- 3 Water pump (below the water reservoir)

Dashboard (switches)



- 1 Selector switch – vibration front or front and rear (Optional)
- 2 Continuous sprinkling or sprinkling interval switch (Optional)
- 3 Switch for revolving warning light (Optional)
- 4 Switch for work light (only with light option)
- 5 Light switch 0 – off (only with light option)
1 – parking light
2 – main beam
- 6 Indicator switch left / right (only with light option)
- 7 Hazard flasher switch (only with light option)
- 8 Multifunction device with hour counter
- 9 Emergency stop switch
- 10 Horn



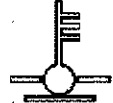

Dashboard (control lights)

- 1 Control light for battery charge level (charge control)
- 2 Control light for engine oil pressure
- 3 Control light for engine coolant temperature
- 4 Control light for emergency stop circuit, drive lever zero position and seat contact
- 5 Control light for fuel reserve
- 6 Control light for pre-heating
- 7 Control light for brake release and supply pressure hydraulics
- 8 Control light for parking light
- 9 Control light for road driving light
- 10 Indicator control light
- 11 Fuel tank display
- 12 Operating hours counter





△ ATTENTION

The warning lamps for engine oil pressure, charge indicator and brake release / supply pressure must light up when the ignition is switched on. They must go off as soon as the engine is started.

Operation check

	<p>Battery charge level control light</p> <p>If the battery charge level control light lights up during operation or does not go off after starting, carry out the following check immediately.</p> <ul style="list-style-type: none"> • Stop the engine. • Check the engine for defective or loose V-belt. • If the battery charging lamp is still lit after carrying out these checks, call a specialist.
	<p>Engine oil pressure and temperature control light</p> <p>Stop immediately.</p> <p>If the engine oil pressure control light lights up during operation or does not go off after starting, turn off the engine immediately!</p> <ul style="list-style-type: none"> • Check the engine for oil loss and correct oil level. • If the engine oil level is correct, have a specialist solve the problem.
	<p>Coolant level / temperature control light</p> <p>Stop immediately (engine overheating).</p> <p>If the coolant temperature control light lights up during operation of the machine, switch off the engine immediately and top up coolant!</p> <p> WARNING</p> <p>Danger of scalding! The cooling circuit is pressurized.</p> <ul style="list-style-type: none"> • Allow the engine to cool down before removing the radiator cap. • In order to avoid scalding, first unscrew the radiator cap ¼ of a turn and allow the pressure to drop. • As soon as the pressure has dropped, remove the cap and top up the liquid. • Check the cooling system for leaks and the radiator/expansion vessel for correct coolant level. • If you cannot locate the fault, consult a specialist to solve the problem.

Operation check

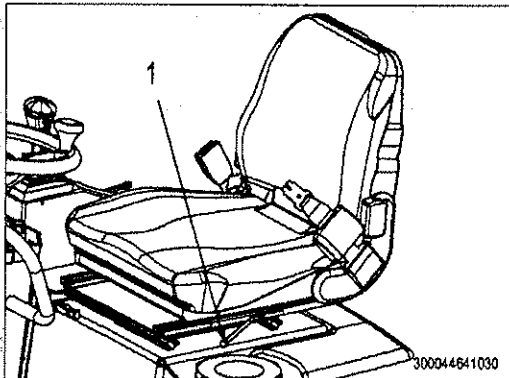
	<p>Control light for emergency stop circuit, drive lever zero position and seat contact</p> <p>If the control light lights up while the ignition is on, observe the following:</p> <ul style="list-style-type: none"> • Release the "EMERGENCY STOP" button by turning it clockwise (red mushroom button on the dashboard). • Put the drive lever into neutral position. • Sit on the driver's seat. • If the control light is still lit after carrying out these checks, call a specialist to solve the problem.
	<p>Fuel reserve light</p> <p>After the light lights up for the first time, the fuel in the tank will last at least ½ h.</p> <ul style="list-style-type: none"> • Top up diesel fuel. (Tank volume 43l)
	<p>Diesel engine preheating</p> <p>Preheating time: 4 seconds.</p> <p>The light goes off when you start the engine.</p>
	<p>Control light for supply / brake release pressure of the hydraulic system</p> <p>As long as this control light is lit, the supply and brake release pressure of the hydraulic system is not sufficient. Do not start to drive until this control light has gone off.</p> <p>⚠ WARNING</p> <p>If the control light for the brake / pressure supply lights up while driving or does not go off after starting the engine, the machine must not be driven any further.</p> <ul style="list-style-type: none"> • Check whether the seat contact switch is closed. • If the seat contact switch is closed and the control light is still lit, call a specialist to solve the problem.

Notes

AMMANN

OPERATION

Driver's seat



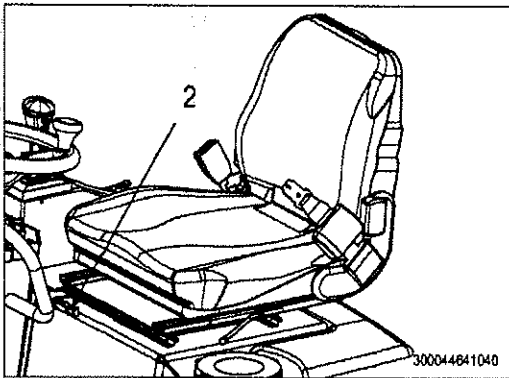
Forward/backward adjustment (1)

Press the lever (1) on the left of the seat outwards slightly and move the seat to the desired position.



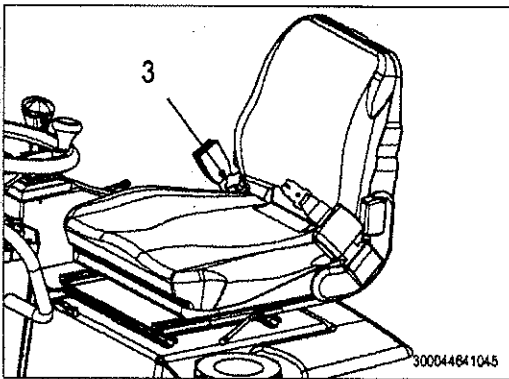
NOTE

If adjusted ergonomically forward/backward, your feet will be on the floor panel.



Side-to-side adjustment (2)

Pull the lever (2) on the front of the seat up and move the seat to the desired position.

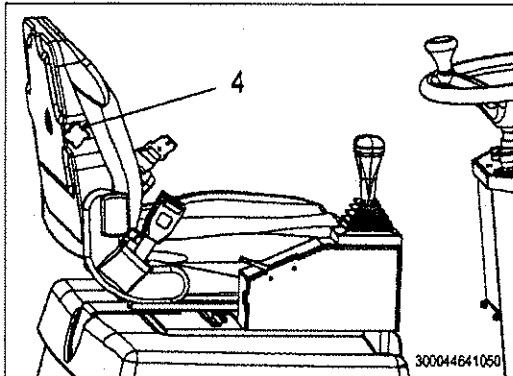


Adjusting the backrest (3)

Turn the adjuster button (3) clockwise to move the backrest backward.

Turn the adjuster button counterclockwise to move the backrest forward.

Driver's seat



Weight adjustment (4)

The button (4) for weight adjustment is on the right of the seat. Weight adjustment is infinite in the range of 50 -120 kg.

Turn the adjuster button clockwise to reduce tension of the seat.

Turn the adjuster button counterclockwise to increase tension of the seat.



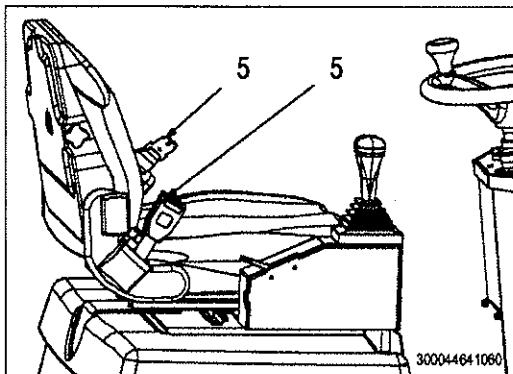
NOTE

The driver's seat is important for your health. Adjust the seat to suit your body size.



WARNING

Do not adjust the driver's seat while driving – high risk of accidents!



WARNING

Safety belt (5)

You must always wear the safety belt (5). Together with the roll-over bar it is a safety system that can save your life.

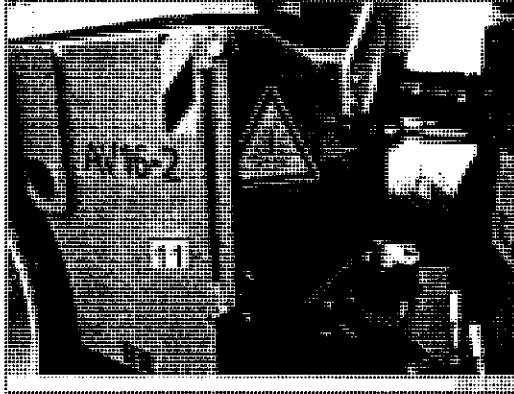


WARNING

Danger of crushing!

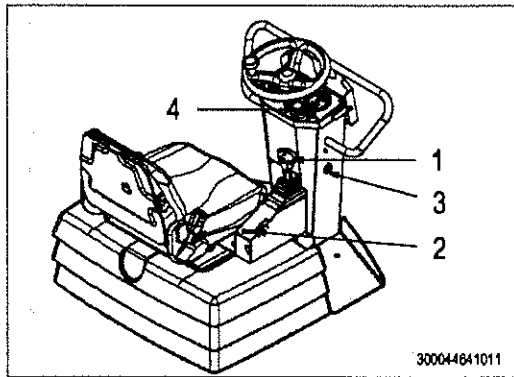
Never place your feet on the bend of the floor panel. There is a risk of crushing when the roller moves out to the sides.

Starting the engine, driving and braking



Joint protection

Make sure that the joint protection (11) is fastened as in the picture.

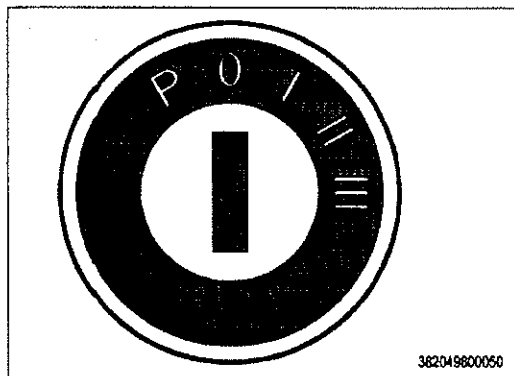


Driver's cabin

- 1 Drive lever
- 2 Speed adjusting lever
- 3 Ignition switch
- 4 Emergency stop button

Sit on the driver's seat.

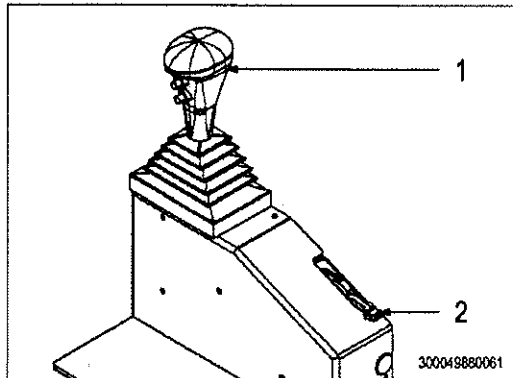
Release the emergency stop button (4) by turning it clockwise if it triggers.



Ignition switch positions (3)

- | | |
|-----|-------------|
| P | PARKING |
| 0 | OFF |
| I | Ignition on |
| II | Pre-heating |
| III | Start |

Starting the engine, driving and braking



Drive lever (1)

Put the drive lever into neutral position. Once the drive lever is in the correct position you will feel the lever click into place.

You cannot start the diesel engine in any other position.

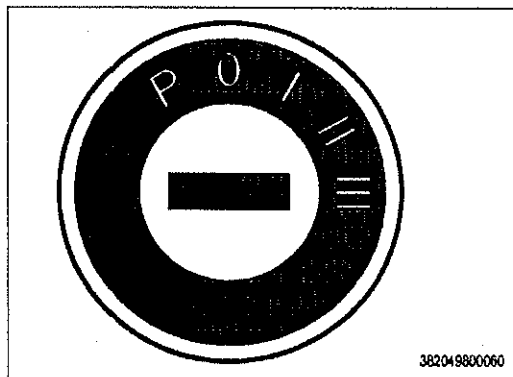
Speed adjusting lever (2)

Move the speed adjusting lever (2) all the way down into idle position.



NOTE

Depending on the options, the machine may only have one speed.



Start procedure

Turn the ignition key clockwise to position III. As soon as the engine starts up release the ignition key.



ATTENTION

The warning lights for engine oil pressure, charge indicator and brake release / supply pressure must light up when the ignition is switched on. They must go off as soon as the engine is started.

Pre-heating

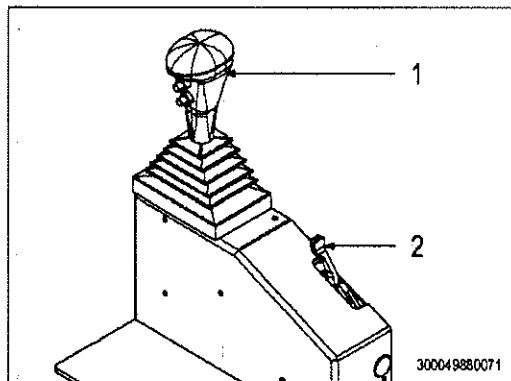
If outside temperature is below 0 °C, first turn the ignition key to position II, hold it in this position for 4 seconds, and then turn it on to position III.



ATTENTION

When starting and driving the machine from cold, with cold hydraulic oil, braking distances are longer than when the oil has reached normal working temperature.

Starting the engine, driving and braking

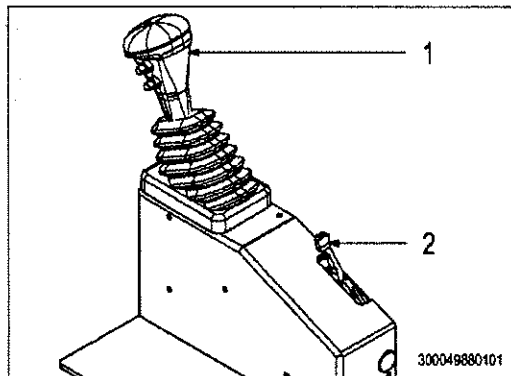


Speed adjusting lever

Move the speed adjusting lever (2) forward to the first stop. The engine is now running at low speed.

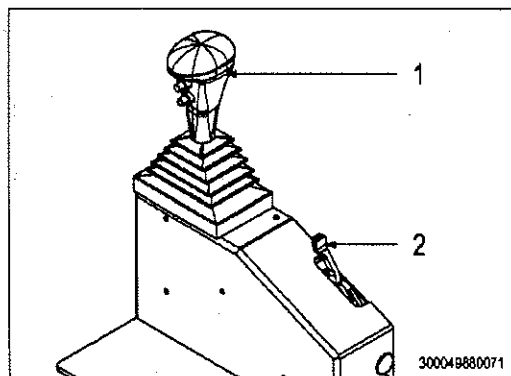
At the second stop, the engine runs at high speed.

Check whether the steering is working.



Forwards

Move the drive lever (1) forward slowly.

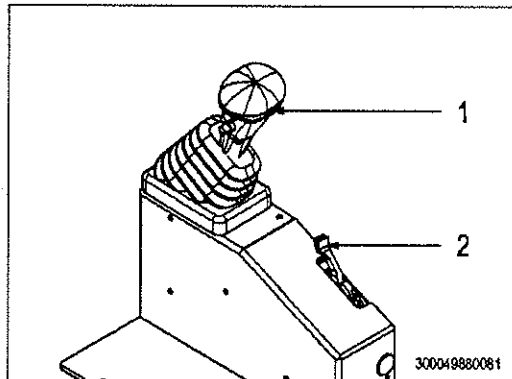


Delay (service brake)

Slowly pull the drive lever (1) into neutral position.

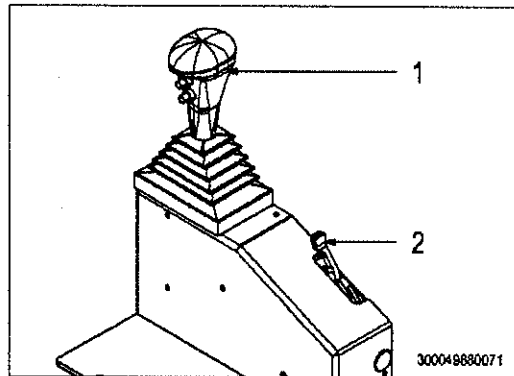
The machine is automatically braked hydrostatically.

Starting the engine, driving and braking



Driving backwards

Move the drive lever (1) back slowly.

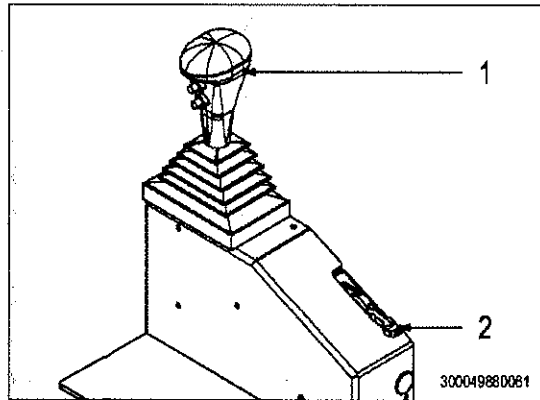


Delay (service brake)

Slowly push the drive lever (1) into neutral position.

The machine is automatically braked hydrostatically.

Adjusting work speed



Speed regulating lever – vibration frequency selection

The machines have two operating speeds. This allows improved adaptation of speed and vibration power to specific ground conditions

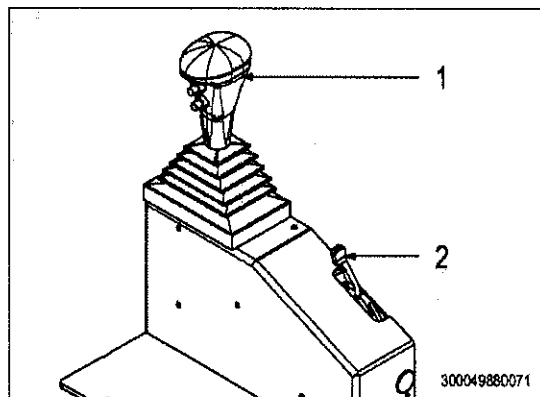


NOTE

Depending on the options, the machine may only have one speed.

Idle speed

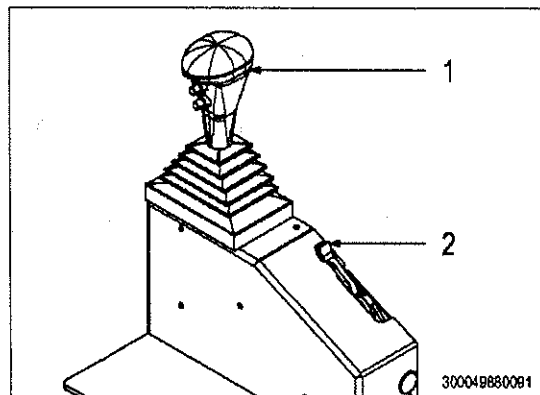
The speed adjusting lever (2) is at the rear position.



Working speed

Low speed – low frequency

Move the speed adjusting lever (2) forward; when it clicks into the first position, low speed is set.

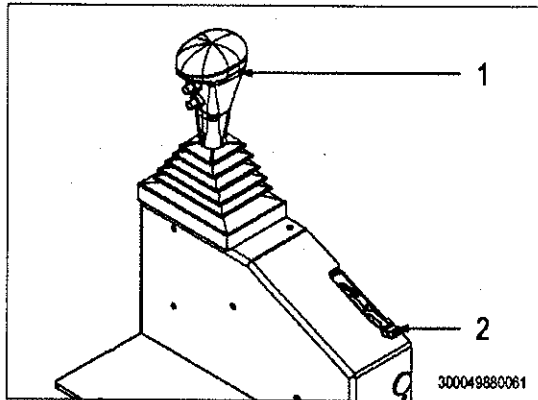


Working speed

High speed – high frequency

Move the speed adjusting lever (2) further forward; when it clicks into the second position, high speed is set.

Turning off the engine

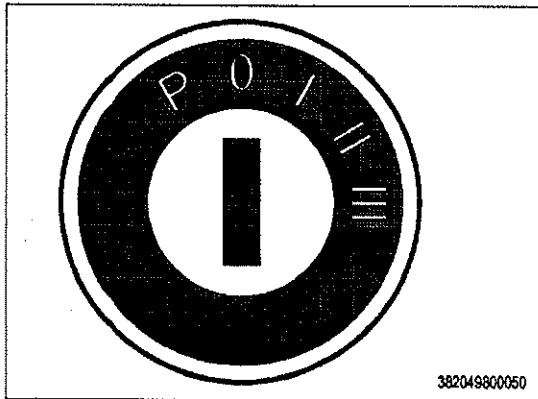


Drive lever (1)

Put the drive lever into neutral position. The machine is automatically braked hydrostatically.

Speed adjusting lever (2)

Move the speed adjusting lever (2) all the way down into idle position.

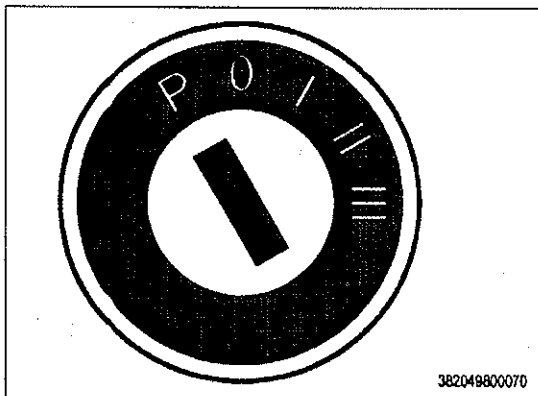


Turning off the engine

Turn the ignition key counterclockwise back to position 0.

The engine stops.

If you want to turn on the parking light, turn the ignition key to position P.



Ignition switch

P PARKING

In this position you can switch on the parking light. The remaining electrical loads are off.

0 OFF

All electrical loads are powered off.

I Ignition on

All electrical loads can be switched on.

II Pre-heating

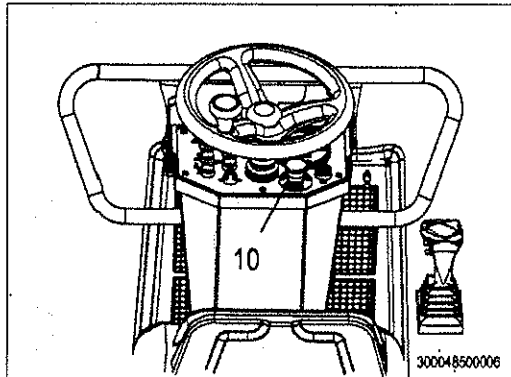
III Start



NOTE

The hazard warning lights can be switched on and off independently of the ignition key position.

Emergency stop and emergency stop reset

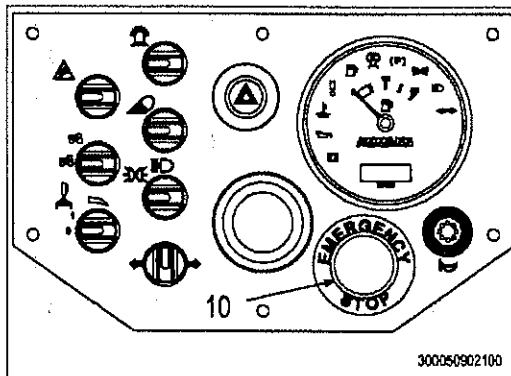


Activating the emergency stop

In case of emergency press the emergency stop button (10). This brings the machine to a standstill.

The button (10) is labeled EMERGENCY STOP.

The engine shuts down immediately and automatically. The brakes close.



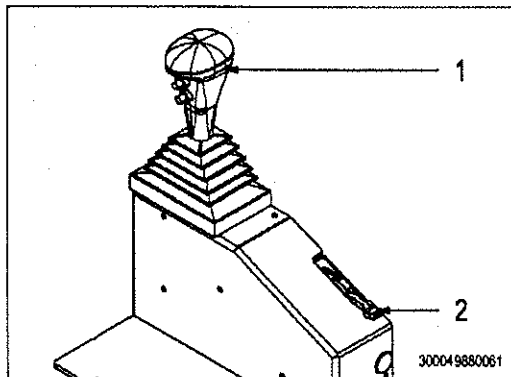
Emergency stop button installation position

The emergency stop button (10) is located on the right side of the dashboard.



NOTE

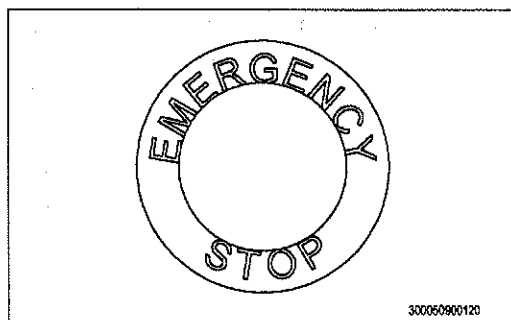
EMERGENCY = Urgent / Emergency



Releasing the emergency stop

First move the drive lever (1) to zero position.

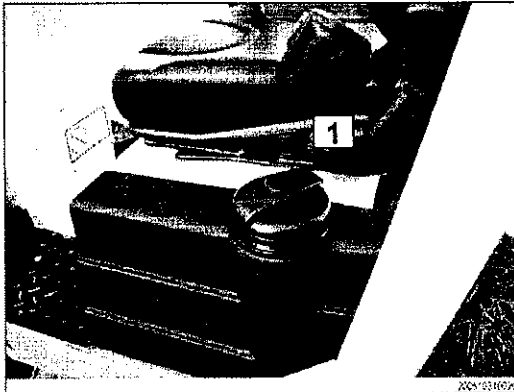
Then move the speed adjusting lever (2) all the way back.



Now turn the emergency stop button slightly in the direction of the arrow until it clicks out.

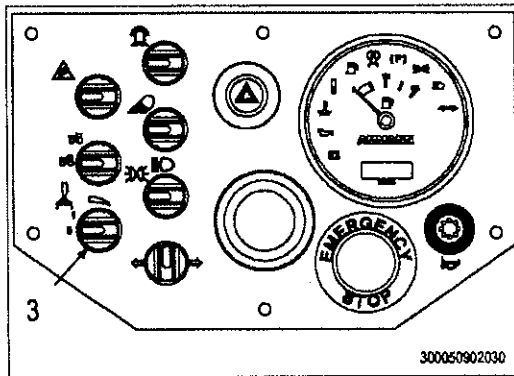
The machine is now ready for operation.

Sprinkling



Checking water level

Open tank screw on the water tank, rear (1) and top up water if required.



Switching continuous sprinkling on and off

Turn the sprinkler switch (3) from position 0 to 1 to activate continuous sprinkling.

Interval sprinkler option

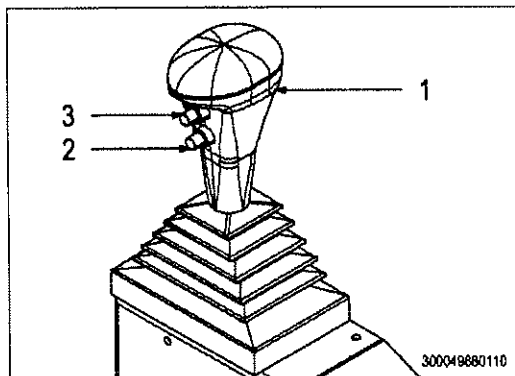
The roller is optionally equipped with an interval sprinkler.

In this case, please refer to the "Options" section on the "Interval sprinkler" page.



ATTENTION

If your machine is not equipped with an interval sprinkler avoid turning the switch too far to the right. In this case you can only select positions 0 and 1.



Drive lever sprinkling

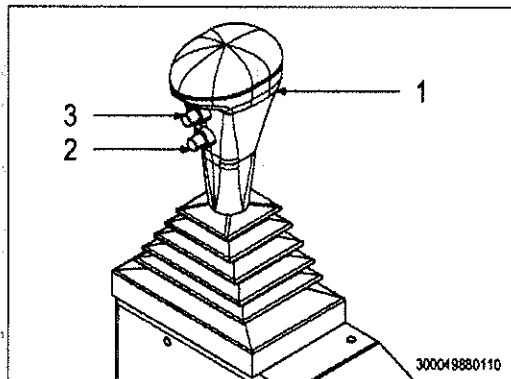
To operate the sprinkler from the drive lever (1) press the bottom button (2). The sprinkler stays on as long as you are pressing the button.



NOTE

In the combined roller, drive lever sprinkling is used only for tire sprinkling.

Simple / double vibration



Switching on the vibration

Press the top button (3) on the drive lever (1) briefly.

Switching off the vibration

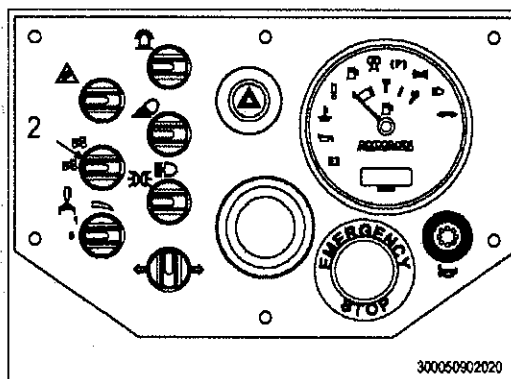
Press the same button (3) again briefly.



ATTENTION

Never use vibration while idling!

Only switch vibration on if the speed adjusting lever is set to a work speed.



Front and rear vibration

In order to activate front and rear vibration, turn the vibration selection button (2) clockwise.

Front only vibration

Turn the vibration selection button (2) counterclockwise.