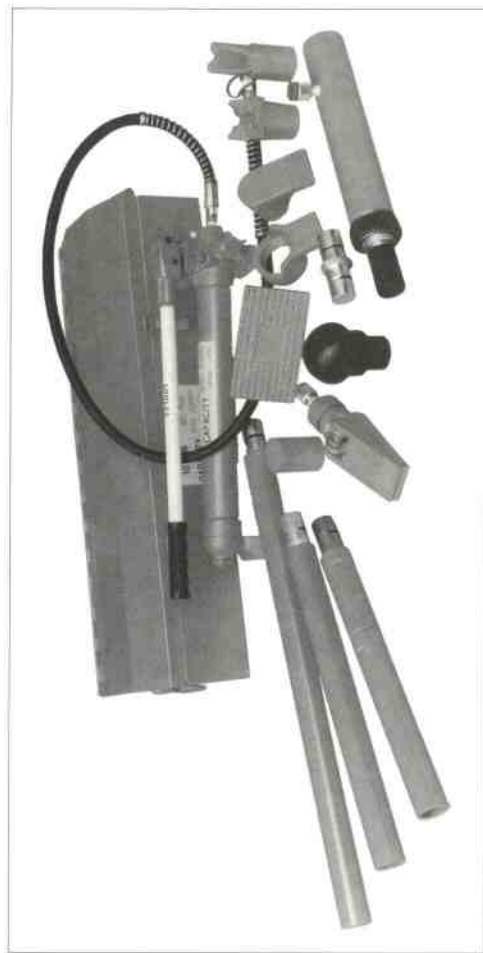




PORTABLE HYDRAULIC EQUIPMENT

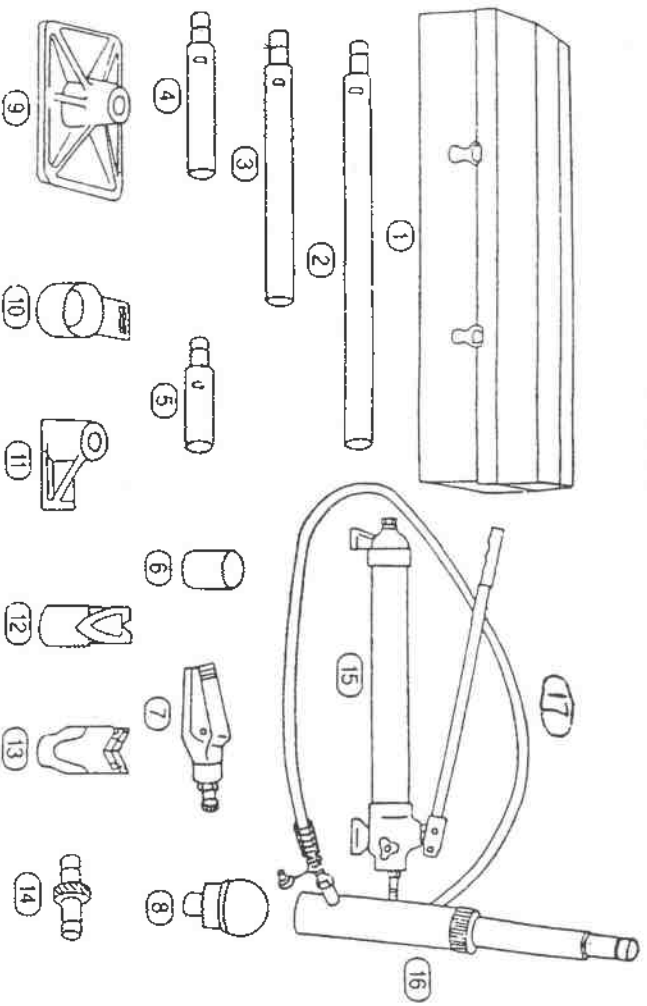
• INSTRUCTIONS •

**IMPORTANT: PLEASE READ THESE INSTRUCTIONS CAREFULLY TO ENSURE
THE SAFE AND EFFECTIVE USE OF THIS TOOL**



KNOW YOUR BODY REPAIR KIT

10 TONNE



KEY No.	PART No.	DESCRIPTION
1	10-1	Metal storage case
2	10-2	685mm Extension bar
3	10-3	456mm Extension bar
4	10-4	250mm Extension bar
5	10-5	127mm Extension bar
6	10-6	Serrated cap
7	10-7	Spreading wedge
8	10-8	Big rubber head
9	10-9	Base plate

KEY No.	PART No.	DESCRIPTION
10	10-10	Ram toe
11	10-11	Plunger toe
12	10-12	Cleft cap
13	10-13	v base
14	10-14	Male connector
15	10-15	10Ton pump unit
16	10-16	Ram unit
17	10-17	Hydraulic hose

IMPORTANT SAFETY RULES

1. Never exceed the maximum load capacity of the ram.
2. Do not over extend the ram, as it is possible to force the plunger out of the top of the ram.
3. When coupler valves are disconnected always insert dust cap to keep the oil lines clean.
4. If the load is not centred to the ram plunger, pump carefully. If you have to use excessive pressure to pump the ram, stop the operation and adjust the set-up so that the load is more central. This should decrease the effort required.
5. Do not drop any heavy objects onto the hose, and do not allow the hose to kink.
6. Always allow clearance for the hose to avoid damage to the hose and couplers.
7. Keep the equipment away from heat or fire, as this may damage or weaken the equipment.

OPERATING INSTRUCTIONS

PUMP UNIT

1. Connect the hydraulic ram and pump unit hose together, ensure you have securely fastened the couplings before pumping.
2. Firmly close the release valve 'A' by turning it in a clockwise direction. Fig. 1.
3. Apply pressure to the pump 'B' by pumping the handle up and down. Fig. 1.
4. To release the pressure turn the valve anti-clockwise.

NOTE: The pump can be used in any position ie horizontal to vertical. Always keep the hose end of the pump unit facing downwards when positioned vertically. Fig. 2.

ATTACHMENT COMBINATIONS

The pump unit can be used with the multi directional ram. This enables many attachment combinations, some of which are shown on page 4.

