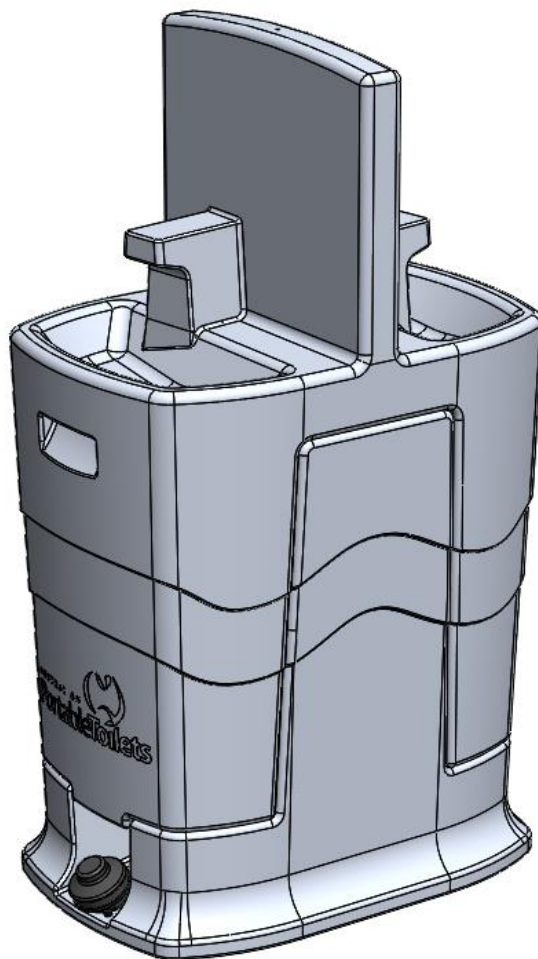
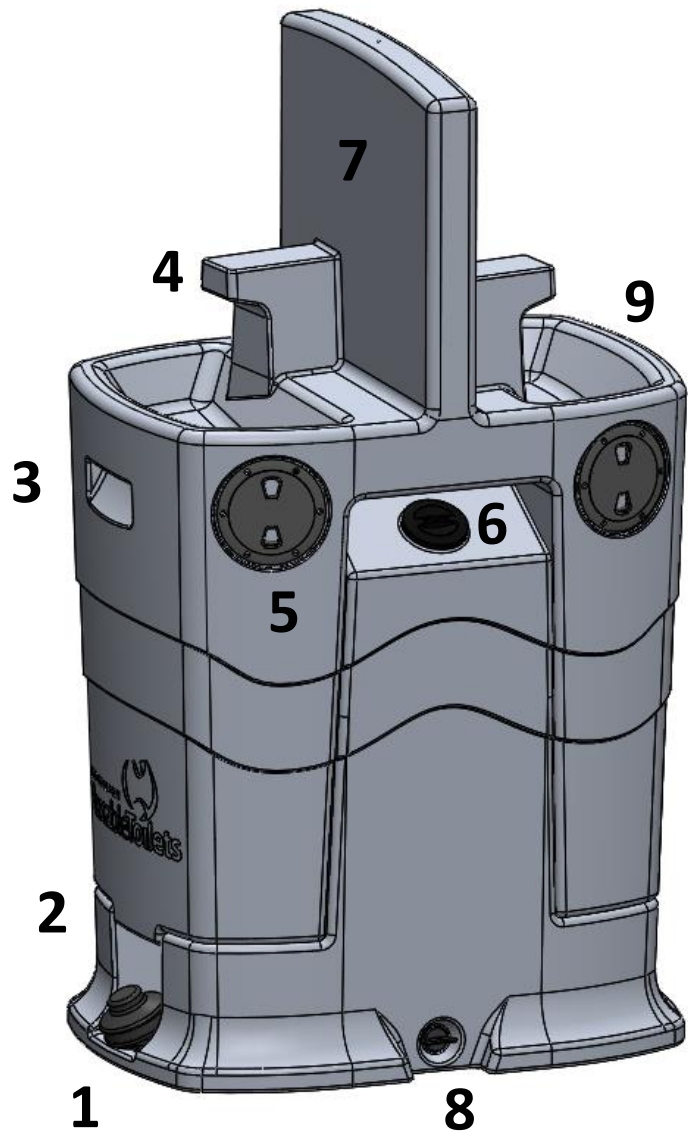


# Portable Hand Wash Station User Guide



1. Foot Pump
2. Grey Water Drain Plug
3. Hand Grip
4. Waterspout
5. Grey Water Inspection Port
6. Fresh Water Fill Point
7. Soap/Paper Mount Surface
8. Fresh Water Drain Plug
9. Basin



## Setting Up

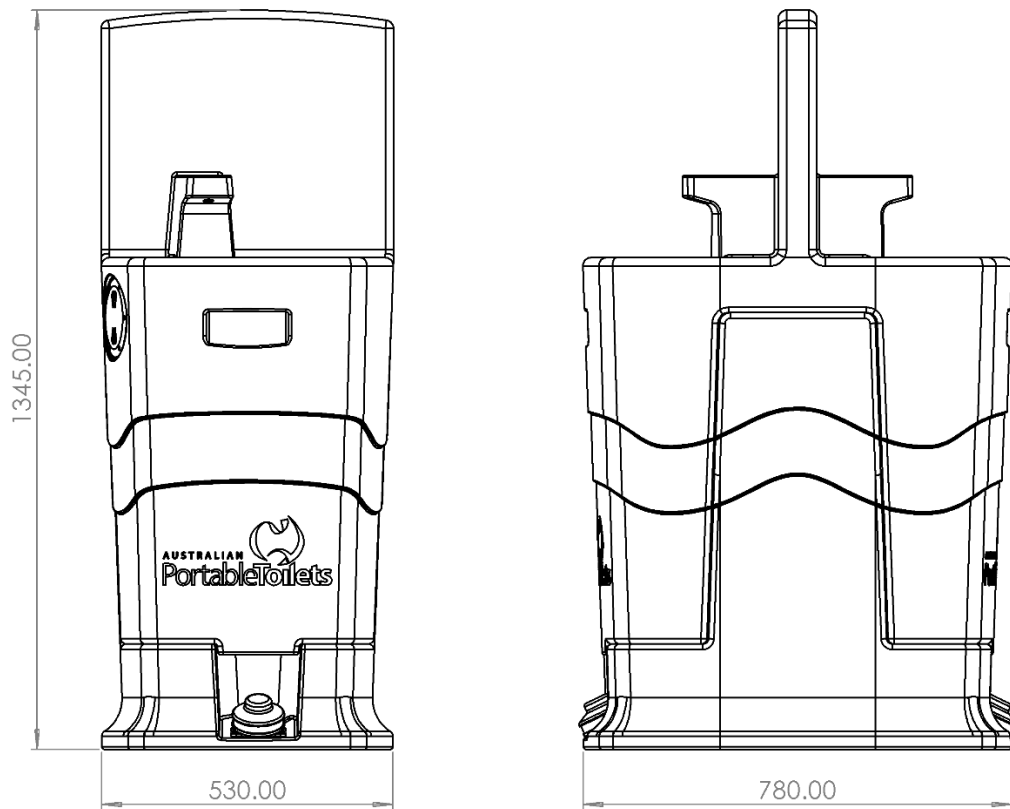
1. Place handwash station on flat stable ground
2. Fill freshwater tank at fill point (6)

## Operation

1. To wash, place hands under the waterspout (4) depress the foot pump (1) several times

## Removal from Site

1. Release the fresh water from the tank by removing the fresh water drain plug (8)
2. Release the grey water from each grey water tank by removing the grey water drain plug (2) or by sucking waste out via grey water inspection point (5). Note: In sensitive areas, always remove the fresh and grey water by external services via the inspection ports (5)



*Dimensions are in mm.*

## **Weights/Capacity**

Weight: 36kg (empty)

Fresh Water Capacity: 115L

Waste/Grey Water Capacity: 85L

30L Balast can be used as ballast to stabilise the unit and to help prevent theft

***[CAUTION: Move with care, using a trolley or 2 persons]***